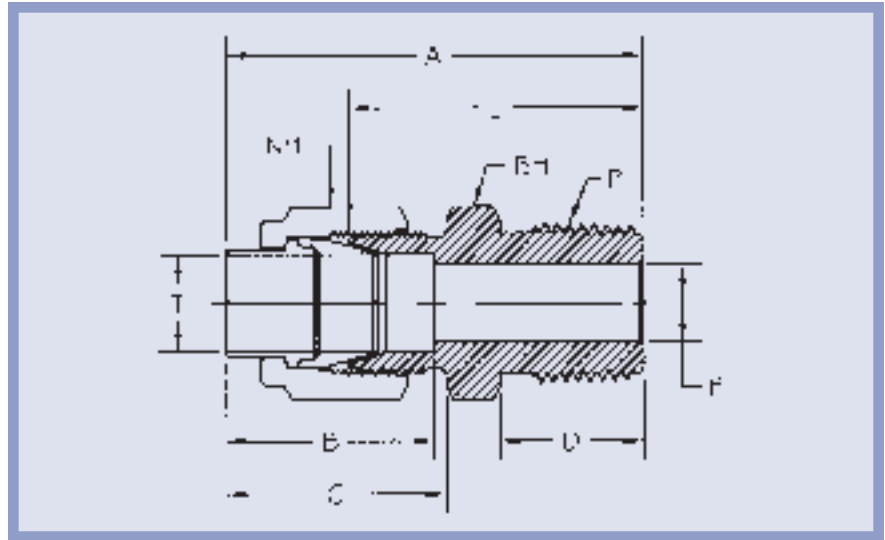




**MALE CONNECTOR**

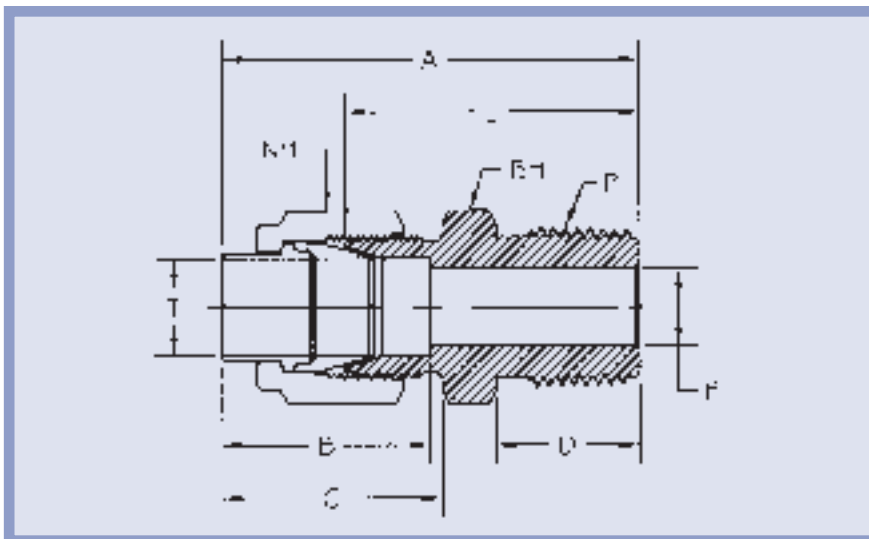


| PART NUMBER | T TUBE O.D. | P PIPE END NPT | A     | B    | C     | D    | E THRU HOLE | L     | NH NUT HEX | BH BODY HEX |
|-------------|-------------|----------------|-------|------|-------|------|-------------|-------|------------|-------------|
| 1-1MC-1     | 1/16        | 1/16           | 1.203 | .609 | .670  | .375 | .052        | .875  | 3/8        | 3/8         |
| 1-1MC-2     | 1/16        | 1/8            | 1.234 | .609 | .670  | .375 | .052        | .906  | 3/8        | 7/16        |
| 2-1MC-1     | 1/8         | 1/16           | 1.328 | .640 | .765  | .375 | .094        | .937  | 7/16       | 7/16        |
| 2-1MC-2     | 1/8         | 1/8            | 1.328 | .640 | .765  | .375 | .094        | .937  | 7/16       | 7/16        |
| 2-1MC-4     | 1/8         | 1/4            | 1.546 | .640 | .765  | .562 | .094        | 1.156 | 7/16       | 9/16        |
| 2-1MC-6     | 1/8         | 3/8            | 1.578 | .640 | .765  | .562 | .094        | 1.187 | 7/16       | 11/16       |
| 2-1MC-8     | 1/8         | 1/2            | 1.765 | .640 | .765  | .750 | .094        | 1.375 | 7/16       | 7/8         |
| 3-1MC-2     | 3/16        | 1/8            | 1.390 | .703 | .796  | .375 | .125        | .969  | 1/2        | 7/16        |
| 3-1MC-4     | 3/16        | 1/4            | 1.656 | .703 | .796  | .562 | .125        | 1.234 | 1/2        | 9/16        |
| 4-1MC-1     | 1/4         | 1/16           | 1.500 | .796 | .906  | .375 | .125        | 1.016 | 9/16       | 1/2         |
| 4-1MC-2     | 1/4         | 1/8            | 1.500 | .796 | .906  | .375 | .187        | 1.016 | 9/16       | 1/2         |
| 4-1MC-4     | 1/4         | 1/4            | 1.718 | .796 | .906  | .562 | .187        | 1.234 | 9/16       | 9/16        |
| 4-1MC-6     | 1/4         | 3/8            | 1.750 | .796 | .906  | .562 | .187        | 1.265 | 9/16       | 11/16       |
| 4-1MC-8     | 1/4         | 1/2            | 1.937 | .796 | .906  | .750 | .187        | 1.453 | 9/16       | 7/8         |
| 4-1MC-12    | 1/4         | 3/4            | 2.031 | .796 | .906  | .750 | .187        | 1.547 | 9/16       | 1-1/8       |
| 4-1MC-16    | 1/4         | 1              | 2.281 | .796 | .906  | .937 | .187        | 1.797 | 9/16       | 1-3/8       |
| 5-1MC-2     | 5/16        | 1/8            | 1.500 | .796 | .906  | .375 | .187        | 1.047 | 5/8        | 9/16        |
| 5-1MC-4     | 5/16        | 1/4            | 1.718 | .796 | .906  | .562 | .250        | 1.265 | 5/8        | 9/16        |
| 5-1MC-6     | 5/16        | 3/8            | 1.750 | .796 | .906  | .562 | .250        | 1.296 | 5/8        | 11/16       |
| 5-1MC-8     | 5/16        | 1/2            | 1.937 | .796 | .906  | .750 | .250        | 1.484 | 5/8        | 7/8         |
| 6-1MC-2     | 3/8         | 1/8            | 1.640 | .937 | 1.015 | .375 | .187        | 1.078 | 11/16      | 5/8         |
| 6-1MC-4     | 3/8         | 1/4            | 1.828 | .937 | 1.015 | .562 | .281        | 1.265 | 11/16      | 5/8         |
| 6-1MC-6     | 3/8         | 3/8            | 1.828 | .937 | 1.015 | .562 | .281        | 1.265 | 11/16      | 11/16       |
| 6-1MC-8     | 3/8         | 1/2            | 2.046 | .937 | 1.015 | .750 | .281        | 1.484 | 11/16      | 7/8         |
| 6-1MC-12    | 3/8         | 3/4            | 2.046 | .937 | 1.015 | .750 | .281        | 1.484 | 11/16      | 1-1/8       |
| 6-1MC-16    | 3/8         | 1              | 2.390 | .937 | 1.015 | .937 | .281        | 1.828 | 11/16      | 1-3/8       |

\*NOTE: All dimensions subject to change, to be used for reference only.



## MALE CONNECTOR



| PART NUMBER | T TUBE O.D. | P PIPE END NPT | A     | B     | C     | D    | E THRU HOLE | L     | NH NUT HEX | BH BODY HEX |
|-------------|-------------|----------------|-------|-------|-------|------|-------------|-------|------------|-------------|
| 8-1MC-2     | 1/2         | 1/8            | 1.796 | 1.140 | 1.140 | .375 | .187        | 1.156 | 7/8        | 13/16       |
| 8-1MC-4     | 1/2         | 1/4            | 1.984 | 1.140 | 1.140 | .562 | .281        | 1.343 | 7/8        | 13/16       |
| 8-1MC-6     | 1/2         | 3/8            | 1.984 | 1.140 | 1.140 | .562 | .406        | 1.343 | 7/8        | 13/16       |
| 8-1MC-8     | 1/2         | 1/2            | 2.172 | 1.140 | 1.140 | .750 | .406        | 1.531 | 7/8        | 7/8         |
| 8-1MC-12    | 1/2         | 3/4            | 2.265 | 1.140 | 1.140 | .750 | .406        | 1.625 | 7/8        | 1-1/16      |
| 8-1MC-16    | 1/2         | 1              | 2.453 | 1.140 | 1.140 | .937 | .406        | 1.813 | 7/8        | 1-3/8       |
| 10-1MC-4    | 5/8         | 1/4            | 2.094 | 1.203 | 1.217 | .562 | .281        | 1.453 | 1          | 15/16       |
| 10-1MC-6    | 5/8         | 3/8            | 2.094 | 1.203 | 1.217 | .562 | .375        | 1.453 | 1          | 15/16       |
| 10-1MC-8    | 5/8         | 1/2            | 2.281 | 1.203 | 1.217 | .750 | .500        | 1.640 | 1          | 15/16       |
| 10-1MC-12   | 5/8         | 3/4            | 2.343 | 1.203 | 1.217 | .750 | .500        | 1.703 | 1          | 1-1/8       |
| 10-1MC-16   | 5/8         | 1              | 2.531 | 1.203 | 1.217 | .937 | .500        | 1.890 | 1          | 1-3/8       |
| 12-1MC-4    | 3/4         | 1/4            | 2.281 | 1.250 | 1.343 | .562 | .281        | 1.594 | 1-1/4      | 1-1/8       |
| 12-1MC-6    | 3/4         | 3/8            | 2.156 | 1.250 | 1.343 | .562 | .375        | 1.468 | 1-1/4      | 1-1/8       |
| 12-1MC-8    | 3/4         | 1/2            | 2.469 | 1.250 | 1.343 | .750 | .468        | 1.781 | 1-1/4      | 1-1/8       |
| 12-1MC-12   | 3/4         | 3/4            | 2.469 | 1.250 | 1.343 | .750 | .625        | 1.781 | 1-1/4      | 1-1/8       |
| 12-1MC-16   | 3/4         | 1              | 2.671 | 1.250 | 1.343 | .937 | .625        | 1.984 | 1-1/4      | 1-3/8       |
| 14-1MC-8    | 7/8         | 1/2            | 2.609 | 1.453 | 1.484 | .750 | .468        | 1.781 | 1-3/8      | 1-1/4       |
| 14-1MC-12   | 7/8         | 3/4            | 2.609 | 1.453 | 1.484 | .750 | .625        | 1.781 | 1-3/8      | 1-1/4       |
| 14-1MC-16   | 7/8         | 1              | 2.796 | 1.453 | 1.484 | .937 | .718        | 1.968 | 1-3/8      | 1-3/8       |
| 16-1MC-4    | 1           | 1/4            | 2.484 | 1.515 | 1.484 | .562 | .281        | 1.656 | 1-1/2      | 1-3/8       |
| 16-1MC-6    | 1           | 3/8            | 2.484 | 1.515 | 1.484 | .562 | .375        | 1.656 | 1-1/2      | 1-3/8       |
| 16-1MC-8    | 1           | 1/2            | 2.671 | 1.515 | 1.484 | .750 | .468        | 1.843 | 1-1/2      | 1-3/8       |
| 16-1MC-12   | 1           | 3/4            | 2.609 | 1.515 | 1.484 | .750 | .625        | 1.781 | 1-1/2      | 1-3/8       |
| 16-1MC-16   | 1           | 1              | 2.859 | 1.515 | 1.484 | .937 | .875        | 2.031 | 1-1/2      | 1-3/8       |

\*NOTE: All dimensions subject to change, to be used for reference only.